

Stanilite®

Platinum flood light LED IP65 Emergency



Range

Platinum range

Product group

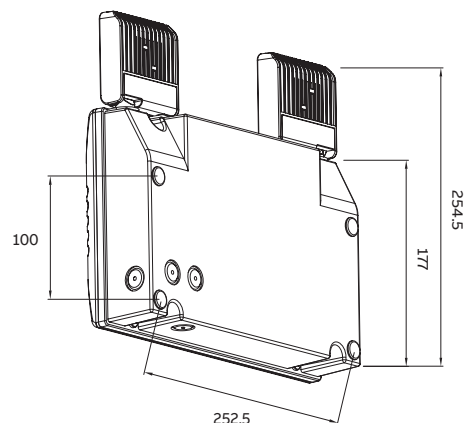
Flood light LED



Features

- Cree®LED with 100,000 hours plus lamp life
- Fully adjustable heads with 120° beam angle
- Weatherproof rating IP65
- Impact resistance Rating: IK06
- Advanced battery charging technology combined with Lithium iron phosphate battery for longer life
- Light output typically 540 lumens per lamp head
- Suitable for both commercial and industrial applications
- Lamp heads can be easily rotated and tilted to suit particular installation requirements
- Wall mounting, comes fitted with standard 10A flex & plug
- Light weight and quick installation
- UV stabilised enclosure
- Ambient operating temperature 10°C to 40°C

Catalogue no.	Description
WPFL24LEDP	Flood light 2x4W LED IP65 weatherproof emergency non-maintained
WPFLRF24LEDP	Flood light 2x4W RF LED IP65 weatherproof emergency non-maintained
Spare parts	
03-01330	Battery LiFePO4 6.4V 6.4Ah



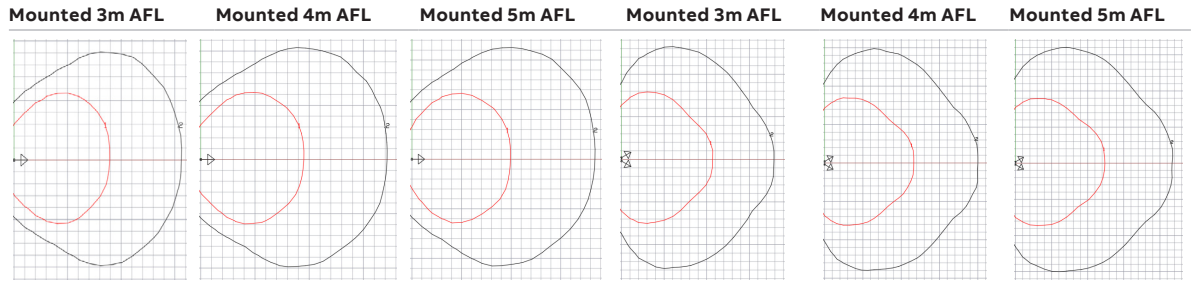
Dimensions			
	Length	Width	Height
	255mm	130mm	255mm
Weight			
	Model	Weight	
	EM/RF	1.5kg	
Construction			
	Part	Construction	
	Body and cover	Polycarbonate	
	Lamp head	Polycarbonate	
Light source			
	Model	Light source	
	EM/RF	LED 2x4W	
Power consumption			
	Model	Power consumption	
	EM/RF	1.2W avg/ 6W max^ ^for 16 hours when charging, discharge battery	

Photometrics

The photometric data below is calculated for a LED weatherproof flood light mounted at 3 metres, 4 metres and 5 metres. The lamp head must be positioned and aimed as shown in the drawings below.

1x LED head Tilt 50°

2x LED head Tilt 50° Orient 30°



Area coverage 0.2 lux min

225m ²	280m ²	328m ²	366m ²	455m ²	533m ²
-------------------	-------------------	-------------------	-------------------	-------------------	-------------------

Area coverage 1.0 lux min

80m ²	94m ²	105m ²	130m ²	153m ²	173m ²
------------------	------------------	-------------------	-------------------	-------------------	-------------------

Note:

- The outer line represents 0.2 lux and inner line 1.0 lux
- Gridlines are 1 metre spacing
- AFL = Above Floor Level

Note:

- Designed to comply with AS2293, CISPR15, AS60598.2.22 and meet all relevant Australian standards